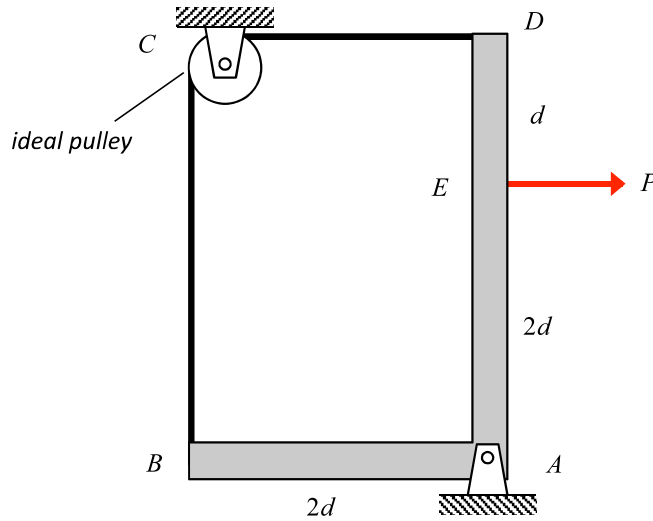


**Homework Problem H9.A**

**Given:** An angled bracket is pinned to ground at corner A. A cable connects ends D and B, with the cable being pulled over an ideal pulley. A force  $P$  acts on point E on the bracket. Assume the weight of the bracket to be negligible compared to the applied load.

**Find:** Determine the tension in the cable, as well as the reactions acting on the bracket at A. Express your answers in terms of  $P$ .



**Homework Problem H9.B**

**Given:** An angled bracket is pinned to ground at end A, with the other end of the bracket supported by a smooth roller at C. A horizontal force  $P$  acts midway between B and C on the bracket. Assume the weight of the bracket to be negligible compared to the applied load.

**Find:** Determine the reactions acting on the bracket at ends A and C. Express your answers in terms of  $P$ .

