

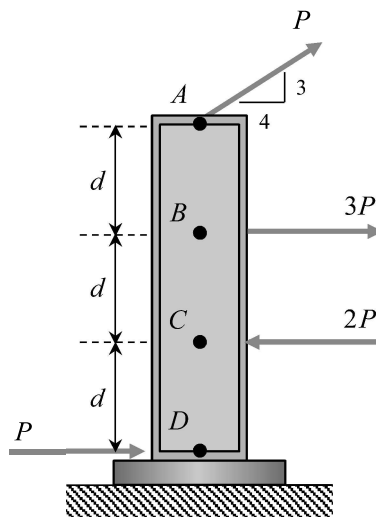
Homework Problem H7.A

Given: A set of four forces act on the support shown below.

Find: For this problem:

- Determine the equivalent force-couple system at A.
- Determine the equivalent force-couple system at D.

Express your answers as vectors in terms of P and d .



Homework Problem H7.B

Given: A set of four forces act on the structure shown below.

Find: For this problem:

- Determine the equivalent force-couple system at O.
- Determine the equivalent force-couple system at A.

Express your answers as vectors in terms of P and d .

