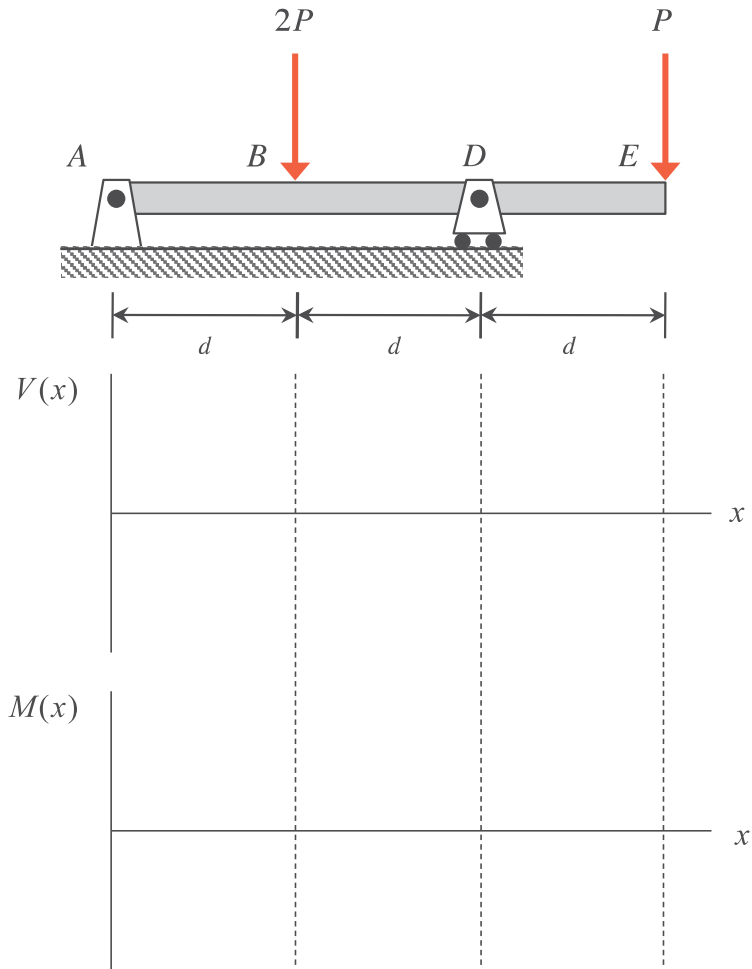


Homework H27.A

Given: Beam loaded with two forces $2P$ and P at B and E, respectively.

Find: Construct the shear force and bending moment diagrams for this beam.

For this problem, use the following parameters: $d = 0.4$ m and $P = 40$ kN.



Homework H27.B

Given: Beam loaded with force P at D , along with concentrated couples at A and B .

Find: Construct the shear force and bending moment diagrams for this beam.

For this problem, use the following parameters: $L = 9$ ft, $M = 50$ kip-ft and $P = 50$ kips.

