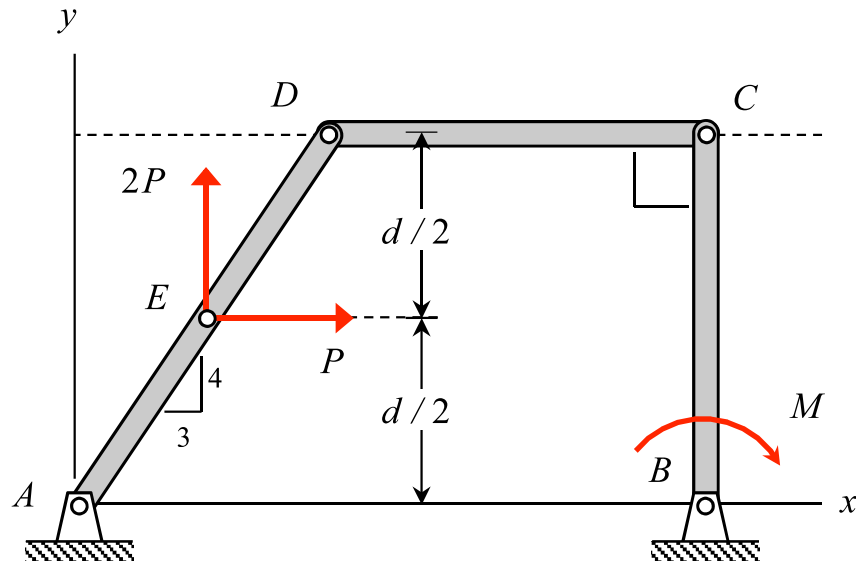


Homework H25.A

Given: A machine is made up of links AD, DC and BC. A pair of forces is applied at E on link AB, and a couple M acts on member BC, as shown in the figure.

Find: For the position shown below with DC being horizontal and BC being vertical, determine the value of M required for equilibrium. Write your answer as a vector. Express your answer in terms of P and d .



Homework H25.B

Given: A structure is made up of members BD and AC, as shown below. A force P is applied at end D of member BD.

Find: Determine the reactions acting on the structure at A and B. Write your answers as vectors and in terms of the applied force P .

