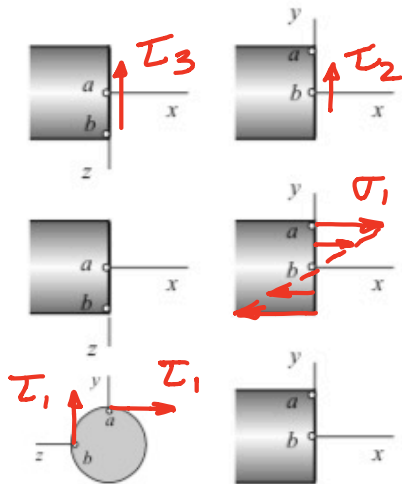
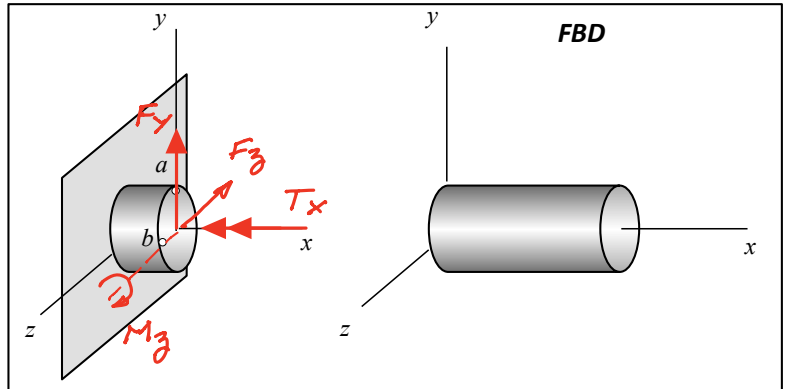
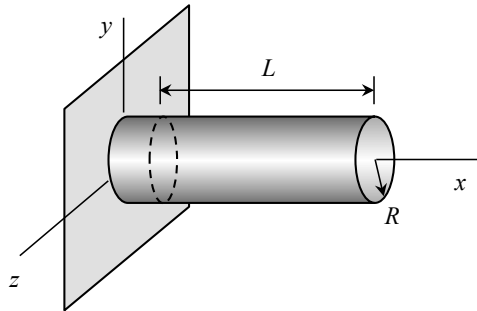


Quiz #7 - 12/1/2021

Name SOLUTION

Example VI



loading	stress comp. @ "a"	stress comp. @ "b"
T_x	$\tau_1 = \frac{T_x R}{I_p}$	$\tau_1 = \frac{T_x R}{I_p}$
F_y	0	$\tau_2 = \frac{4}{3} \frac{F_y}{A}$
F_z	$\tau_3 = \frac{4}{3} \frac{F_z}{A}$	0
M_z	$\sigma_1 = \frac{M R}{I}$	0

