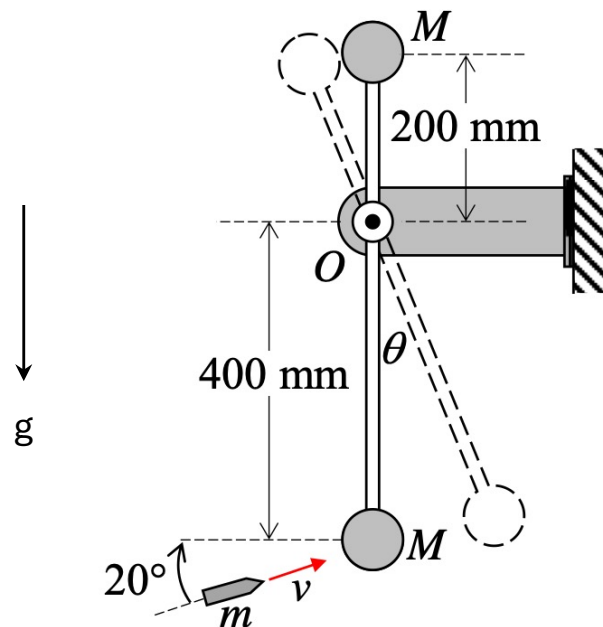


Homework H.4.Q

Given: A bullet strikes the lower particle of a stationary pendulum with a speed of v . After impact, the bullet sticks to the particle.

Find: Determine:

- (a) The angular speed of the pendulum immediately after impact;
- (b) The maximum rotation angle through which the pendulum swings after impact.



Use the following parameters in your analysis: $v = 100$ m/s, $m = 50$ g and $M = 4$ kg.