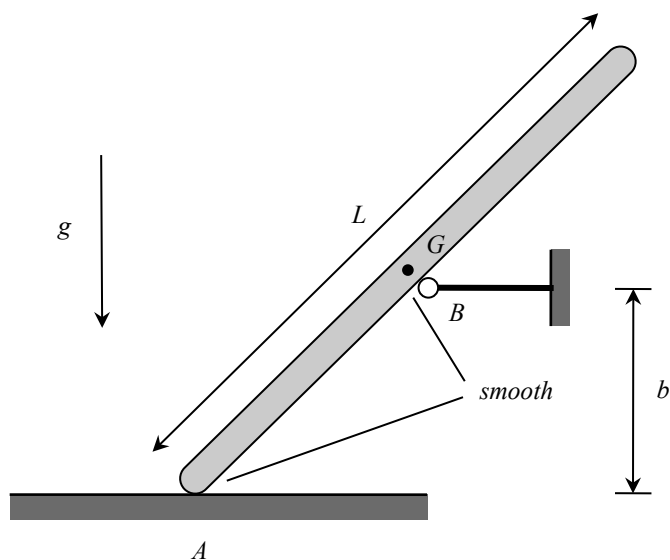


Homework H.5.O

Given: A thin homogeneous bar of mass m and length L is supported by a smooth horizontal floor at end A and by a smooth guide B, as shown in the figure. The bar is released from rest when the center of mass G for the bar is at the location of guide B.

Find: Determine the angular acceleration of the bar on release.



Use the following parameters in your analysis: $m = 40$ kg, $L = 2$ m and $b = 0.6$ m.